



## **ARCHERY CONTEST RULES - 2024**

**Chairman: Julie Kveton (281) 204-7848**

**Co-Chairman: Kimberly Blezinger (281) 799-1098**

**Pre-Registration: February 1<sup>st</sup> – February 16<sup>th</sup>, 2024 (for NISD students and Needville residents)**

**February 17<sup>th</sup> – 29<sup>th</sup> (for Open Registration)**

**Check-in: Saturday, April 20<sup>th</sup> – 11:15 am – Following the NYF Parade**

**Competition: Saturday, April 20<sup>th</sup> – 12:00 pm**

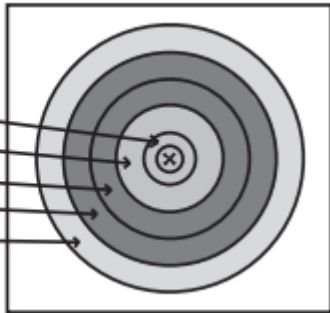
**Awards: Saturday, April 20<sup>th</sup> – Immediately following end of competition**

1. **Contestants must abide by all applicable "Needville Youth Fair General Rules"**
2. All participants must register online at [www.needvilleyouthfair.com](http://www.needvilleyouthfair.com) through ShoWorks
3. Cost is \$20 per shooter; Limited to 40 entries with a waiting list of an additional 20 entries
4. There are 2 Divisions – Compound and Recurve with 3 Age Groups – Juniors (grades 3-5), Intermediate (6-8) and Seniors (grades 9-12).
  - Recurve – Bows may be equipped with a single sighting device, single pin, multiple pin, or hunting style sights; may not be equipped with string peeps or string marks for rear sights. Mechanical release aids are not permitted. Recurve archers will shoot the 40 cm FITA target.
  - Compound – Bows may be equipped with magnified sights and stabilizers. Mechanical release aids are permitted. No laser or holographic sights permitted. Sight level or bubbles are allowed. Compound archers will shoot the 40 cm FITA target
5. Stabilizers are permitted with sights.
6. Maximum arrow shaft diameter allowed will be 0.422 inches, with a point diameter not to exceed 0.425 inches. The shaft diameter will include any wrap placed on the arrow and will include the size of the nock and the nock insert.
7. Maintenance of safety is the responsibility of every shooter and coach as well as the designated range Officials.
8. The range officials may disqualify and eject any individual from the range premises for unsafe or discreditable conduct.
9. There is no coaching allowed when archers are on the line
10. This Contest will follow the NFAA USA Vegas Round Rules –  
**Standard Unit** – A standard unit consists of 30 arrows.

## Target Face Scoring –

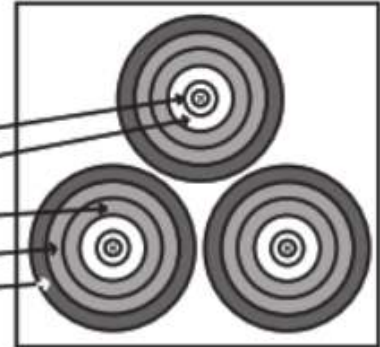
### TARGET FACE SCORING

Inner Gold - 10 points  
Outer Gold - 9 points  
Inner Red - 8 points  
Outer Red - 7 points  
Blue - 6 points



### TARGET FACE SCORING

X - tie breaker  
10 points  
9 points  
8 points  
7 points  
6 points



An arrow shaft need only touch the line to be counted in the area of next higher value.

### Shooting Rules –

An archer may shoot either a 3-spot or a Single spot target.

An archer may shoot the 3-spot target in any order, with one arrow in each spot not to exceed the prescribed number of arrows per end. Shot as three (3) games at a distance of 10 yards for Juniors and 20 yards for Intermediate and Seniors. Each game shall consist of ten (10) ends of three (3) arrows per end. There are two (2) minutes per end.

**Distance Markers** – Junior shooters will shoot at 10 yards. Intermediate and Senior shooters will shoot from the 20 yard line.

